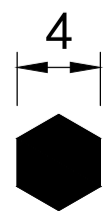
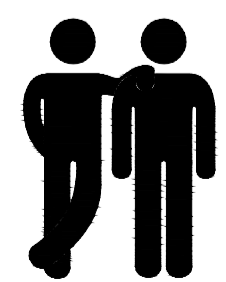
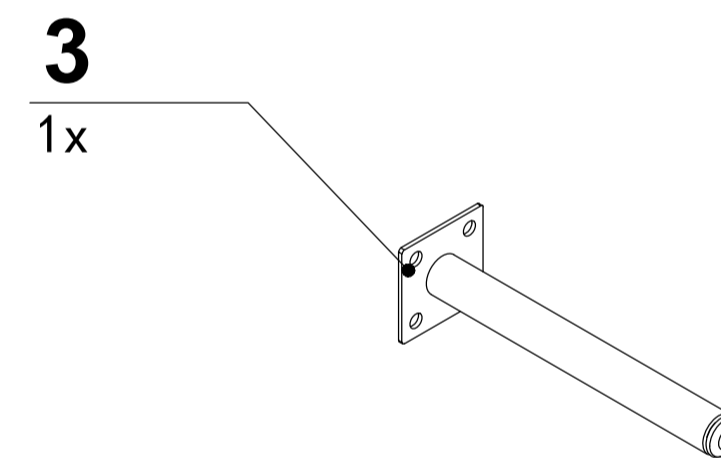
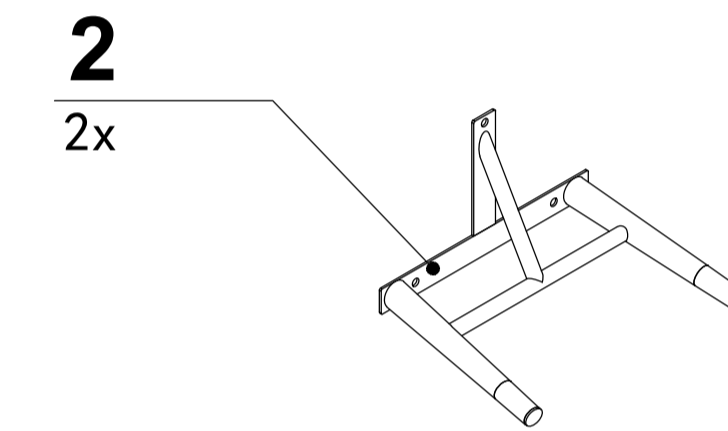
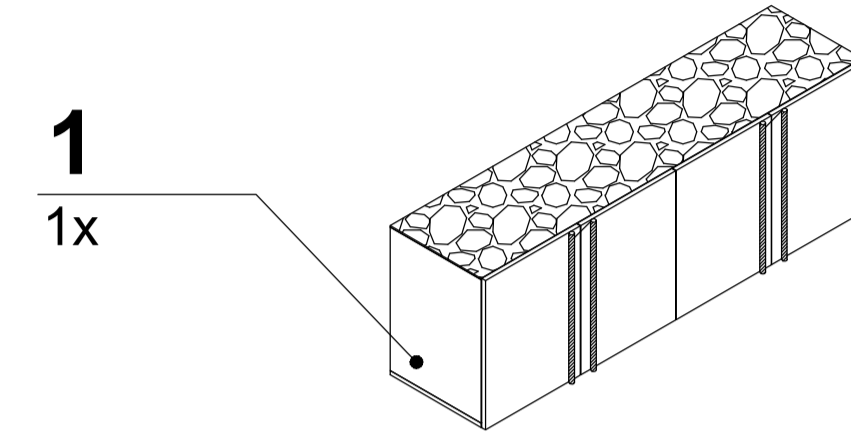
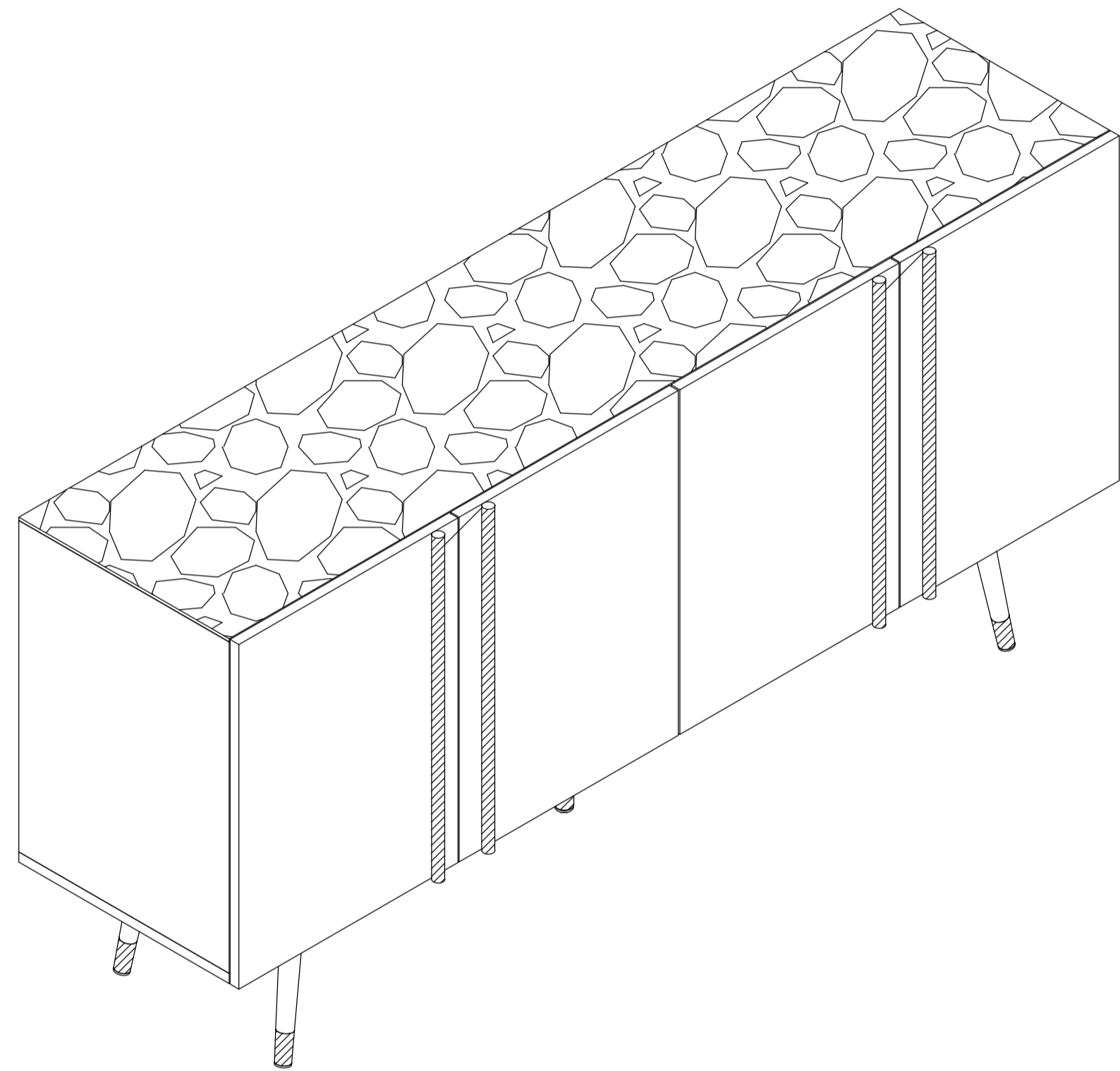


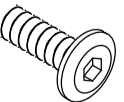
# 85853

Sideboard Catania 180\*86cm

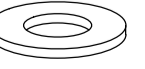
# KARE

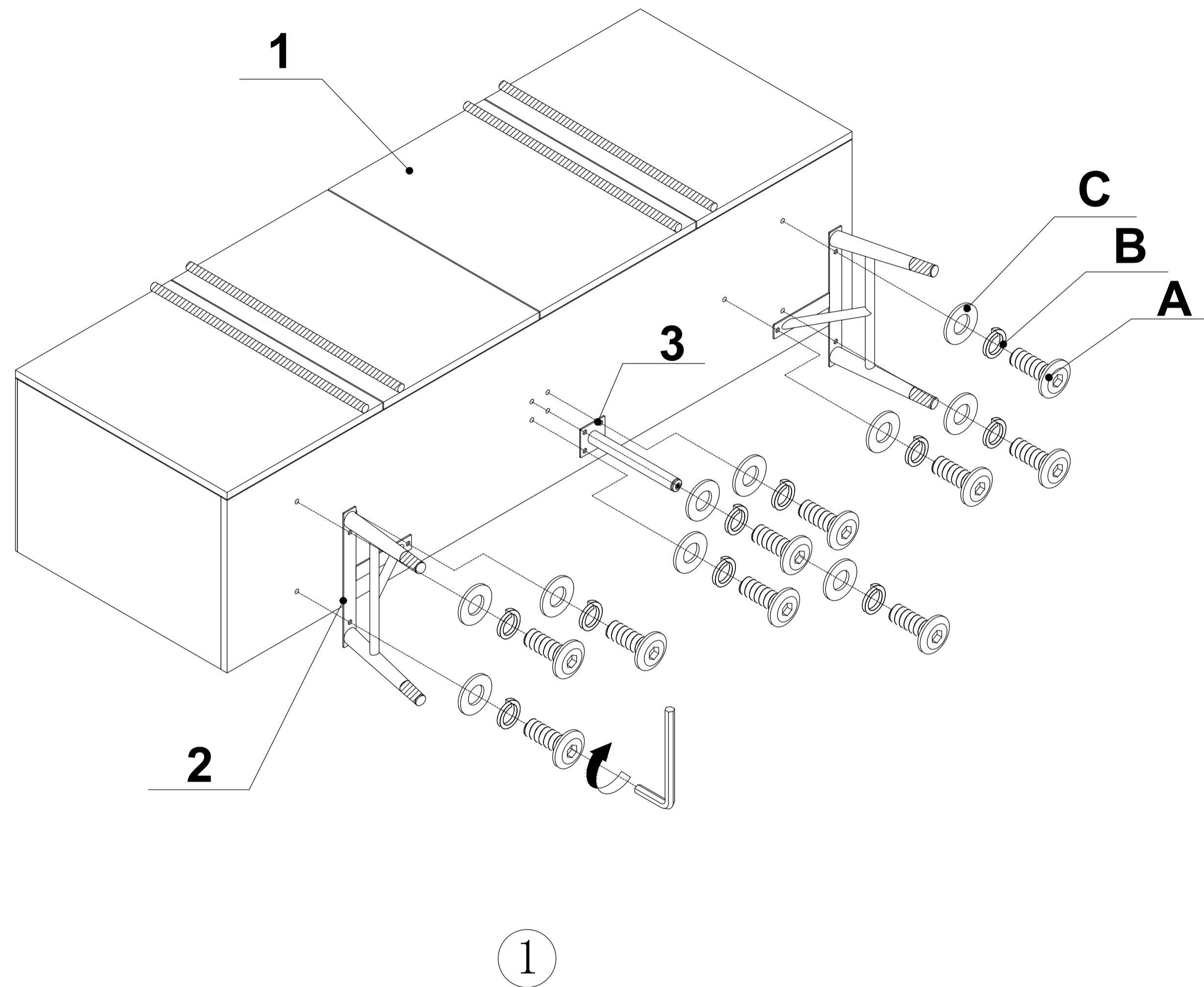
DESIGN



**A**  M6\*20 = 10x

**B**  M6 = 10x

**C**   $\phi 16-6*1.5 = 10x$



**85853**

Sideboard Catania 180\*86cm