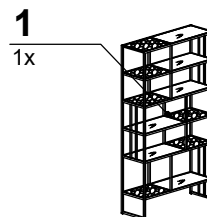
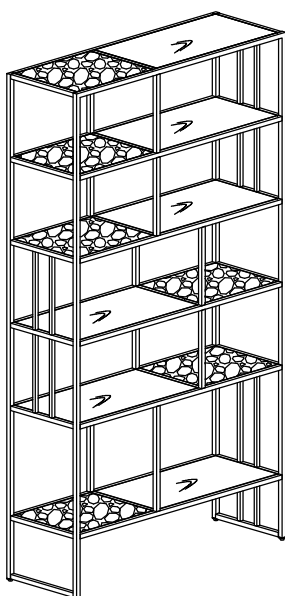







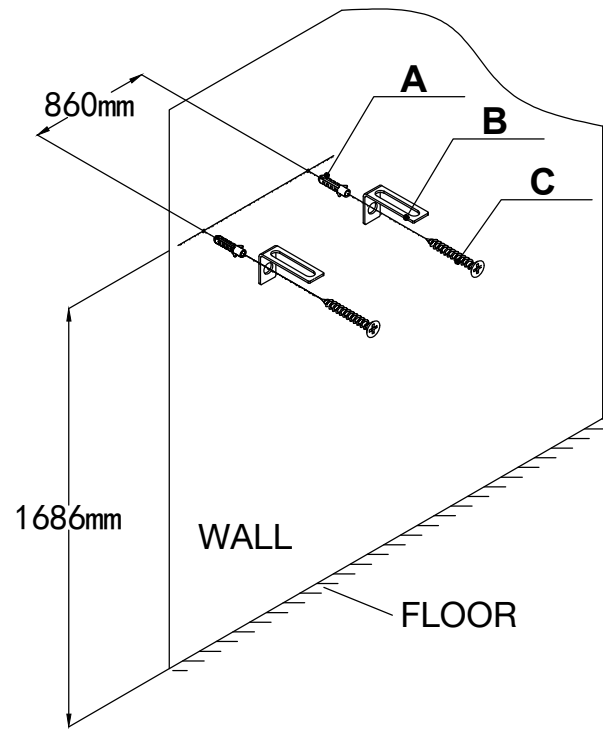
85861

Shelf Cesaro

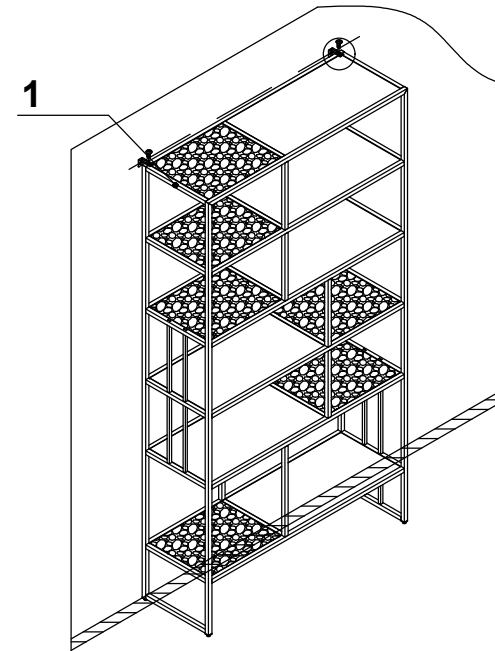
KARE
DESIGN



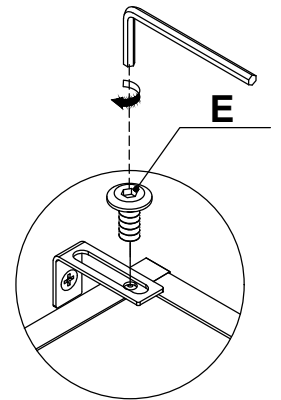
- | | | | | | |
|----------|---|---------------|----------|---|---------------|
| A |  | Ø6*30 = 2x | D |  | Ø16-6*1.5= 2x |
| B |  | 46*25*14 = 2x | E |  | M6*12 = 2x |
| C |  | 46*25*14 = 2x | | | |



①



②



85861

Shelf Cesaro