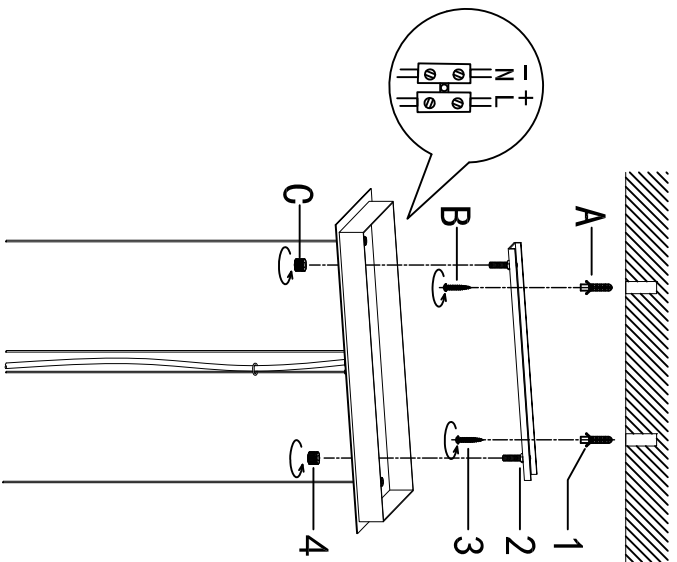
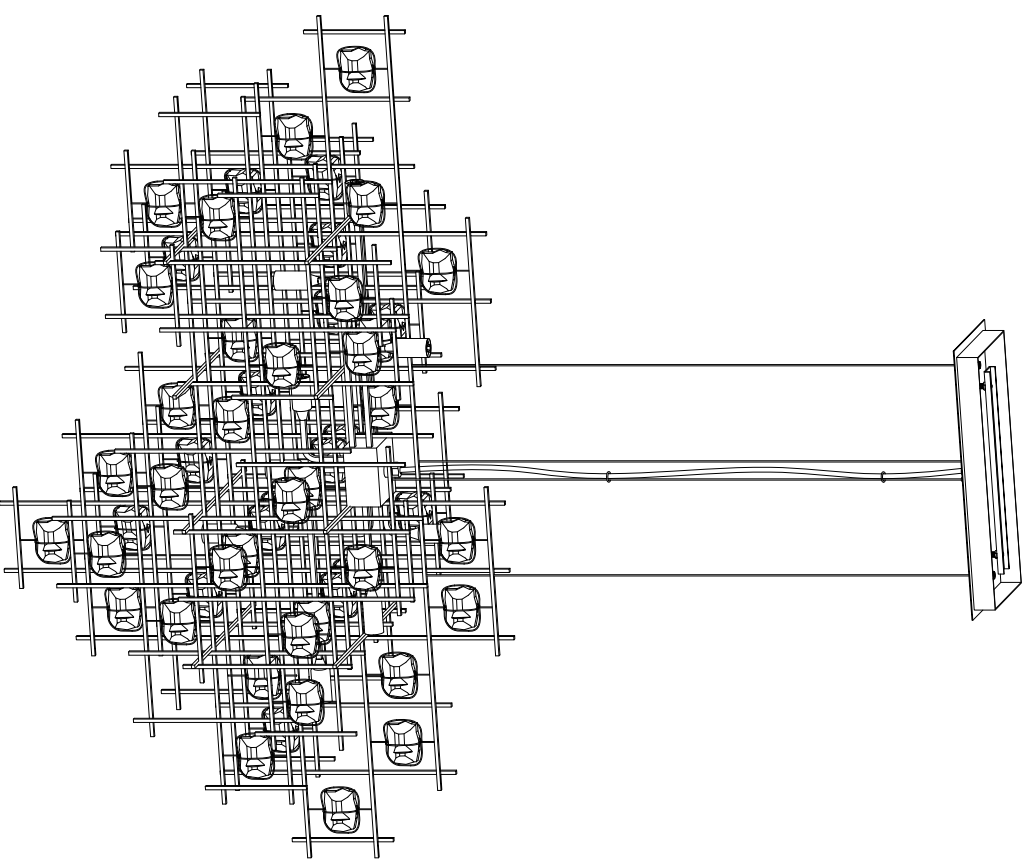


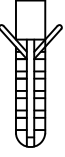
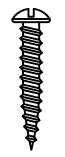

60163 PENDANT LAMP STONE MOBILE



①



②

NO.	A	B	C
TYPE			
QTY	2 PCS	2 PCS	2 PCS