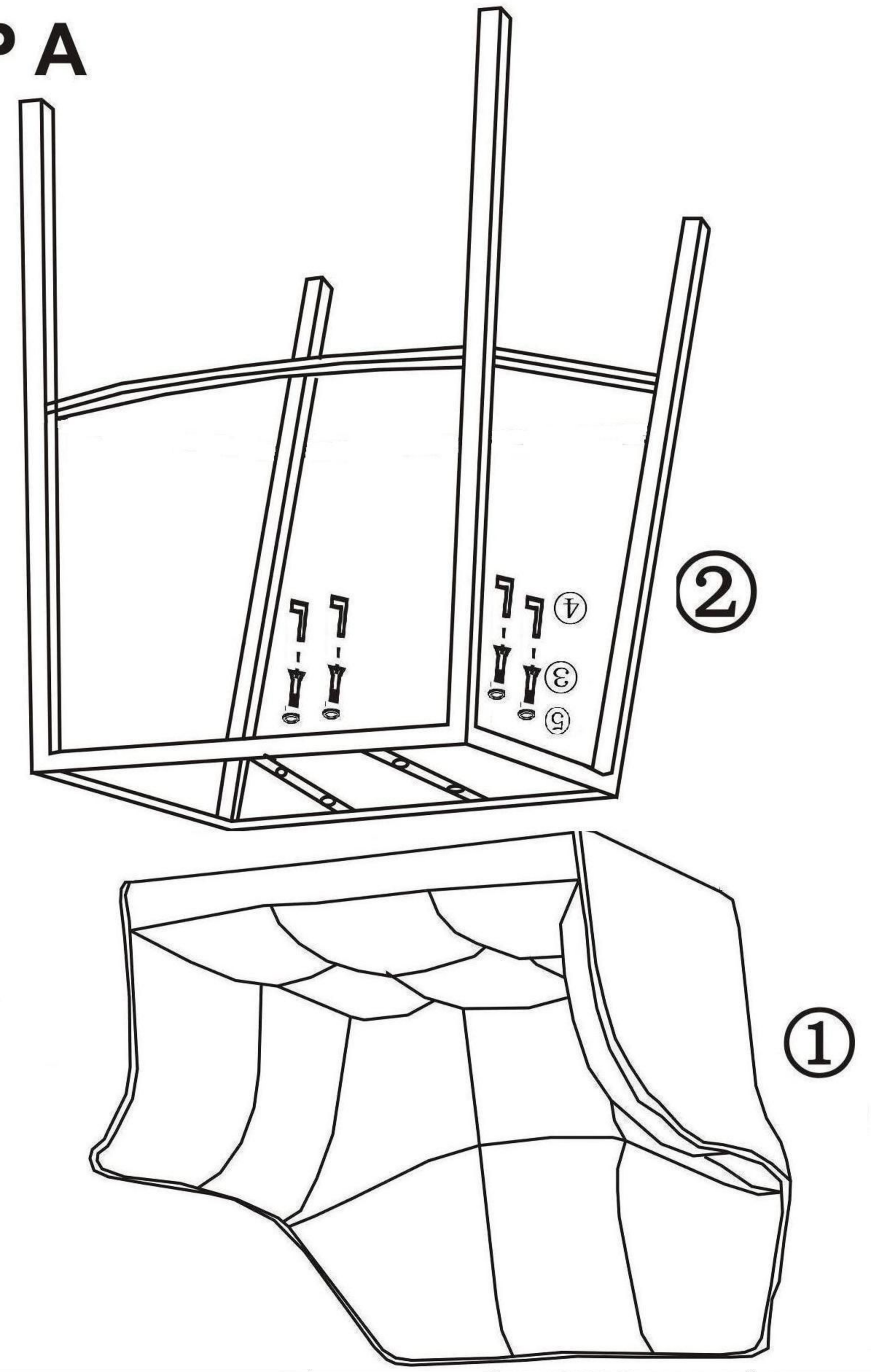


STEP A



STEP B

